

# ROOF SYSTEM: LOW SLOPE - SINGLE-PLY

Scupper: **Throughwall** Center  L. Corner  R. Corner ; **Overflow**

Type: TPO  PVC  Other

Standard Non-Reinforced Membrane  
with 6" Flange:

Color: White  Tan  Gray  Other

Reinforced Membrane is Optional

Throat: Coated/Cladded Metal

Standard: G90 Galvanized Steel, 24 gauge

Optional: 304 Stainless Steel, 24 gauge

Note: 3" throat flange for fastening to wall and deck

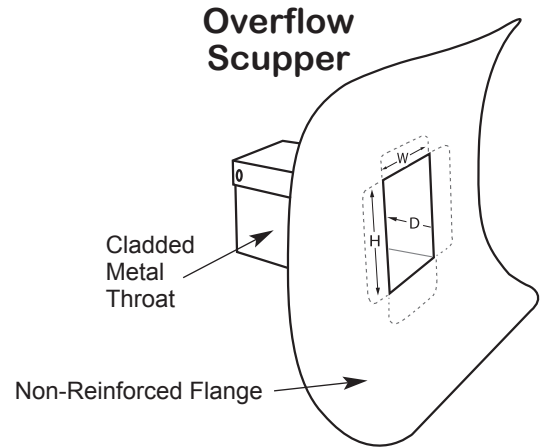
Throat Dimensions:

Width: \_\_\_\_\_

Height: \_\_\_\_\_

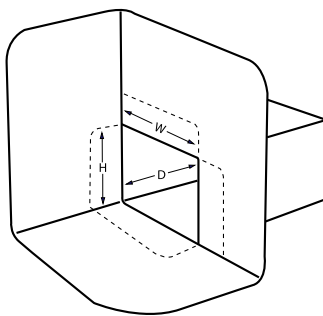
Depth: \_\_\_\_\_

(All Dimensions in Inches)

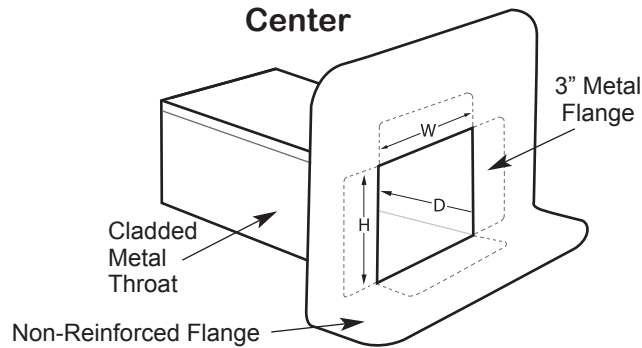


## Throughwall Scuppers

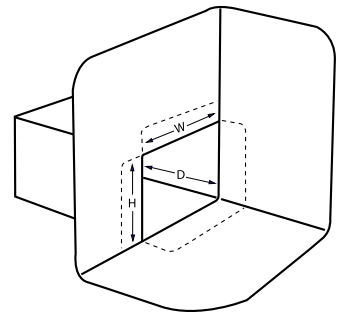
**Left Corner**



**Center**



**Right Corner**



Order Quantity: \_\_\_\_\_  
Use 1 sheet per size.

For Sales and Service:

Phone: 866-323-5274 • Fax: 707-824-5858 • E-mail: sales@FlashCoMfg.com

**Drawing: SP001 Single-Ply  
Throughwall/Overflow Scupper Flashing**



©2012 FlashCo Manufacturing, Inc.