

FlashVent™

EASYFLAPPER™ EXHAUST VENT

TPO Low Slope Systems

OVERVIEW

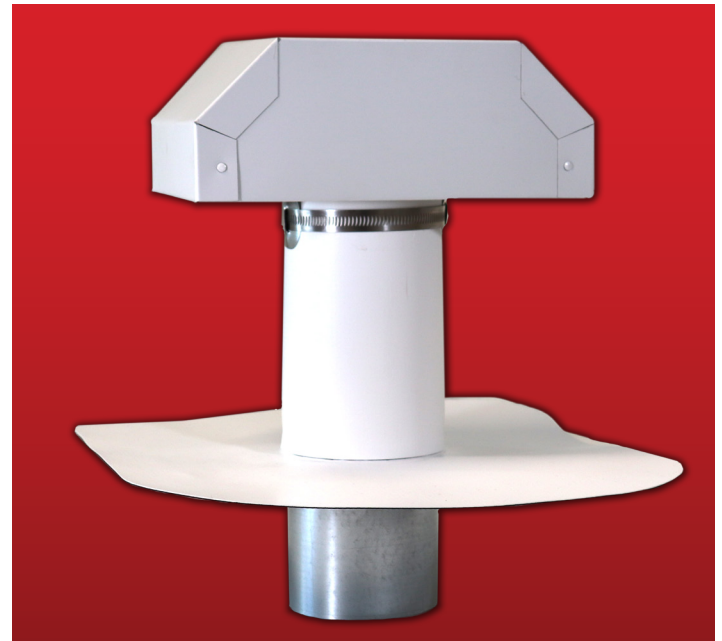
FlashCo's FlashVent TPO Easy Flapper is a rooftop exhaust vent equipped with hinged baffles and a removable screen to prevent debris build up in dryer applications. The sub base and hood are installed separately to accommodate the 60 mil reinforced TPO flashing. The sub base meets the minimum 8" height requirement for most commercial low slope roofing systems. Hoods are available in standard Kynar® colors; White, Gray, and Tan, to better match the color of the TPO membrane. FlashCo's EasyFlapper vents are available in 3 standard sizes: 4", 6" and 8" diameter. **Custom sizes, colors, and configurations are available on request.**

APPLICATION

The Easy Flapper is commonly used for exhaust ventilation and comes equipped with a stem for a positive connection to ducting below the roof substrate. This product is specifically intended for use on TPO low slope roofing systems for powered fan ventilation such as the bathroom, dryer, and kitchen areas. Not intended for heated exhaust such as furnaces and chimneys.

INSTALLATION

1. Insert short side of sub-base stem into vent opening in roof substrate
2. Attach sub-base flange to roof substrate using fasteners (provided by others)
3. From below the roof deck, connect vent ducting to sub-base stem using hose clamp or HVAC tape (provided by others)
4. From above the roof deck, place TPO boot over 8" tall portion of sub-base
5. Completely weld TPO boot flange to existing field membrane
6. Apply TPO cut edge sealant (provided by others) at welded edges of flange
7. Place Kynar hood and hinged baffle assembly over the boot and stem
8. Tighten collar until hood is secure. Omit screen inserts if used in a dryer vent application to help prevent debris build-up

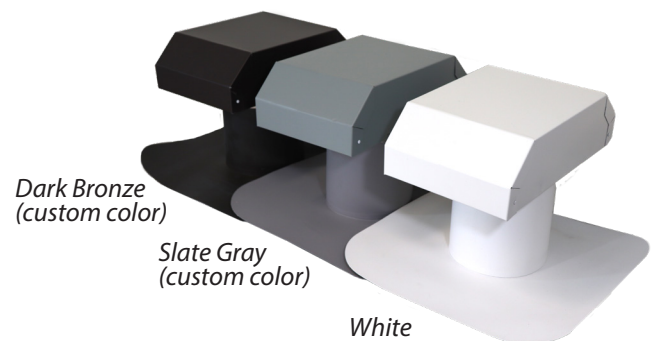


FEATURES AND BENEFITS

- 3-piece design is fast and easy to install
- 8" height meets or exceeds most low-slope TPO system requirements
- Kynar hoods available in white, gray, and tan
- Baffles and gaskets reduce cold air intrusion, condensation, and noise

SAVING THE CONTRACTOR TIME

- FlashCo strives to ship 90% of orders within 1-3 days after purchase orders are placed
- All major membrane manufacturer brands in stock in all five FlashCo plant locations
- Get off the roof sooner
- Reduce installed costs



FlashVent™ EASYFLAPPER™ EXHAUST VENT

STANDARD SIZES, PACKAGING, MATERIALS & COLORS

Description	Qty/Box	Wt./Box	Box Size	Material	Colors
4" EasyFlapper Vent	6 ea.	33 lbs.	24"x24"x20"	60 mil Reinforced TPO	White, Gray, Tan
6" EasyFlapper Vent	4 ea.	30 lbs.	24"x24"x20"	60 mil Reinforced TPO	White, Gray, Tan
8" EasyFlapper Vent	2 ea.	20 lbs.	24"x24"x20"	60 mil Reinforced TPO	White, Gray, Tan

Also available in custom sizes & colors

