

Name: _____ Contractor: _____

Company: _____ Job Name: _____

Cellular: _____ Job Location: _____

Email: _____ Job Date: _____

Choose Options:

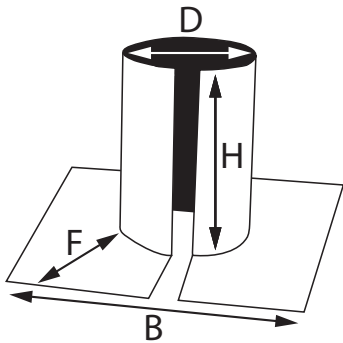
System: BUR Other _____

Base: 4# Lead 2.5# Lead

Riser: 4# Lead 2.5# Lead

Note: For multiple sizes use additional quote forms.

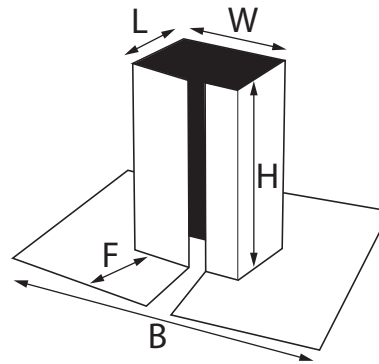
FlashWrap™ - Round Split



D: Diam. _____ in.
 H: Height _____ in.
 F: Flange _____ in.
 B: Base _____ in.

Angle: 90° Other _____ Qty. _____

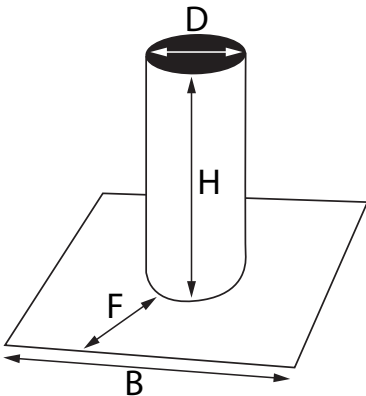
FlashWrap™ - Square Split



L: Length _____ in.
 W: Width _____ in.
 H: Height _____ in.
 F: Flange _____ in.
 B: Base _____ in.

Angle: 90° Other _____ Qty. _____

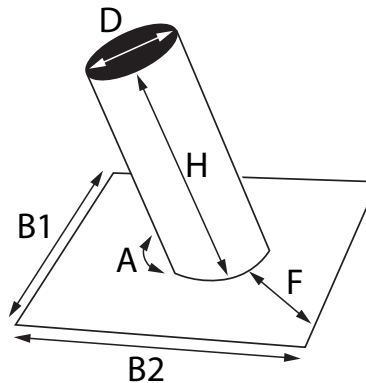
Pipe Flashing - Cylindrical



D: Diam. _____ in.
 H: Height _____ in.
 F: Flange _____ in.
 B: Base _____ in.

Qty. _____

Pipe Flashing - Angled



D: Diam. _____ in.
 H: Height _____ in.
 F: Flange _____ in.
 B1: Base _____ in.
 B2: Base _____ in.
 A: Angle _____ °

Qty. _____