



Date: _____

Job Name: _____

Wholesale Distributor: _____

Job Location: _____

Roofing Contractor: _____

Job Date: _____

System: TPO PVC

Please email or fax this form to:

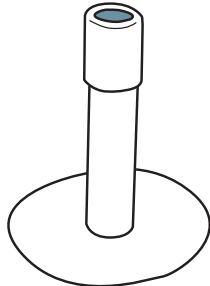
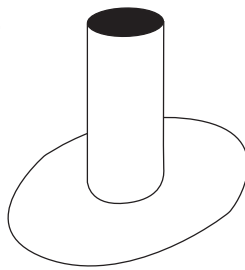
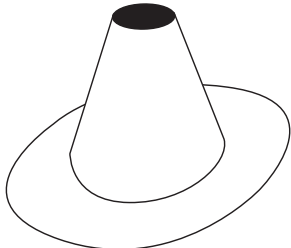
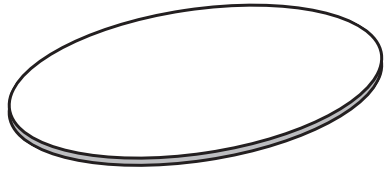
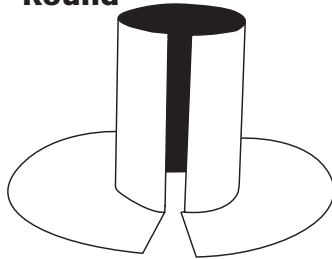
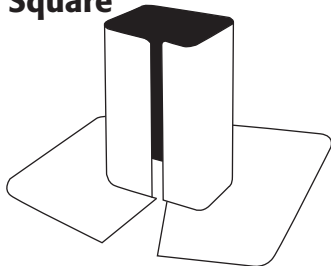
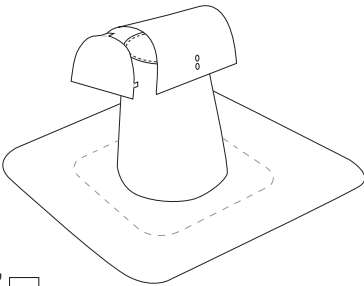
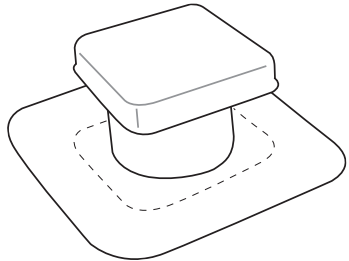
Color: White Tan Gray

Sales@FlashCoMfg.com Fax: (707) 824-5858

Note: For multiple sizes use additional quote forms.



Go to Literature & Information page...
 Click on Drawings tab

<p>FlashCap[®]</p>  <p>Qty: _____</p> <p>Size: 1½" <input type="checkbox"/> 2" <input type="checkbox"/> 3" <input type="checkbox"/> 4" <input type="checkbox"/></p>	<p>Pipe Boots - Cylindrical</p> <p>Hose Clamps included</p>  <p>Qty: _____</p> <p>Size: 1" id <input type="checkbox"/> 2" id <input type="checkbox"/> 3" id <input type="checkbox"/> 4" id <input type="checkbox"/></p>
<p>Pipe Boots - Conical</p> <p>Hose Clamps included</p>  <p>Qty: _____</p> <p>Size: 1" - 6" <input type="checkbox"/> 1" - 2½" <input type="checkbox"/> 2½" - 5" <input type="checkbox"/> ½" - 1½" <input type="checkbox"/> 2½" - 3½" <input type="checkbox"/></p>	<p>T-Joint Covers</p>  <p>Qty: _____ 100/bag</p> <p>Size: 4½" <input type="checkbox"/></p>
<p>FlashWrap[™] Split Boots - Round</p> <p>Hose Clamps included</p>  <p>Qty: _____</p> <p>Size: 1" <input type="checkbox"/> 2" <input type="checkbox"/> 3" <input type="checkbox"/> 4" <input type="checkbox"/> 5" <input type="checkbox"/> 6" <input type="checkbox"/></p>	<p>FlashWrap[™] Split Boots - Square</p>  <p>Qty: _____</p> <p>Size: 2" <input type="checkbox"/> 3" <input type="checkbox"/> 4" <input type="checkbox"/> 5" <input type="checkbox"/> 6" <input type="checkbox"/> 8" <input type="checkbox"/></p>
<p>T-Top Vent</p>  <p>Qty: _____</p> <p>Size: 4" <input type="checkbox"/> 6" <input type="checkbox"/> 8" <input type="checkbox"/></p>	<p>Square Top Vent</p> <p>One way <input type="checkbox"/> Two way <input type="checkbox"/></p>  <p>Qty: _____</p> <p>Size: 8" <input type="checkbox"/></p>



Date: _____

Job Name: _____

Wholesale Distributor: _____

Job Location: _____

Job Date: _____

Job Date: _____

System: TPO PVC

Please email or fax this form to:

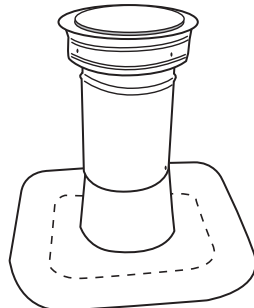
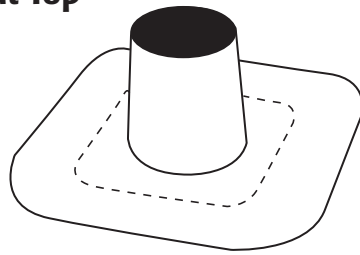
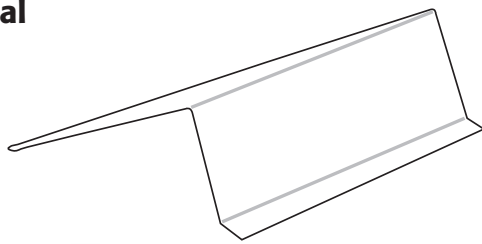
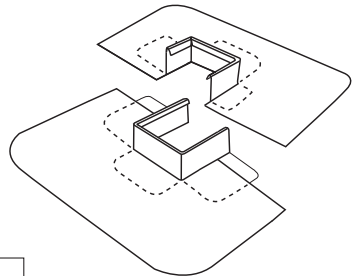
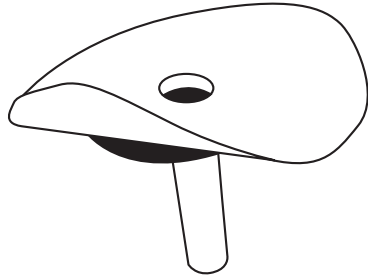
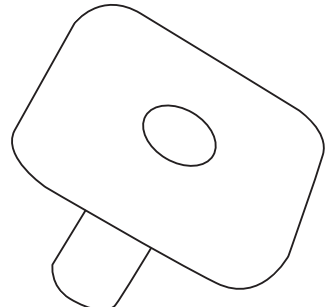
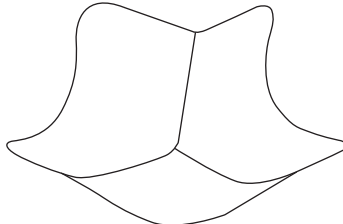
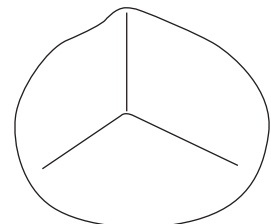
Color: White Tan Gray

Quotes@FlashCoMfg.com Fax: (707) 824-5858

Note: For multiple sizes use additional quote forms.



Go to Literature & Information page...
 Click on Drawings tab

<p>Exhaust Vent with Top</p>  <p>Qty: _____</p> <p>Size: 4" <input type="checkbox"/> 6" <input type="checkbox"/> 8" <input type="checkbox"/></p>	<p>Exhaust Vent without Top</p>  <p>Qty: _____</p> <p>Size: 4" <input type="checkbox"/> 6" <input type="checkbox"/> 8" <input type="checkbox"/></p>
<p>Cladded Metal</p>  <p>Qty: _____</p> <p>Size: 2" x 4" x 10' <input type="checkbox"/> 3" x 3" x 10' <input type="checkbox"/> 4' x 10' Full Sheet <input type="checkbox"/></p>	<p>Sealant Pocket</p>  <p>Qty: _____</p> <p>Size: 4" <input type="checkbox"/> 6" <input type="checkbox"/> 8" <input type="checkbox"/></p>
<p>Drop Outlet</p>  <p>Qty: _____</p> <p>Size: 2" <input type="checkbox"/> 3" <input type="checkbox"/></p>	<p>Drain Boot</p>  <p>Qty: _____</p> <p>Size: 2" <input type="checkbox"/> 3" <input type="checkbox"/></p>
<p>Outside Corner</p>  <p>Qty: _____ 24/box</p> <p>Size: 6" x 6" x 6"</p>	<p>Inside Corner</p>  <p>Qty: _____ 24/box</p> <p>Size: 6" x 6" x 6"</p>