



Date: \_\_\_\_\_

Job Name: \_\_\_\_\_

Wholesale Distributor: \_\_\_\_\_

Job Location: \_\_\_\_\_

Roofing Contractor: \_\_\_\_\_

Job Date: \_\_\_\_\_

System: BUR  Other

**Please email or fax this form to:**

Base: Lead  Copper  Zinc  Galvanized

**Sales@FlashCoMfg.com Fax: (707) 824-5858**

Riser: Lead  Copper  Zinc  Galvanized



Go to Literature & Information page...  
 Click on Drawings tab

Note: For multiple sizes use additional quote forms. All dimensions are in inches.

**Pipe Flashings - Cylindrical**

Qty: \_\_\_\_\_

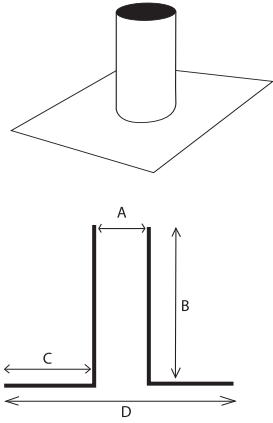
A: Diameter \_\_\_\_\_

B: Height \_\_\_\_\_

C: Flange \_\_\_\_\_

D: Base \_\_\_\_\_

E: Angle  90°  Other \_\_\_\_\_



**Pipe Flashings - Conical**

Qty: \_\_\_\_\_

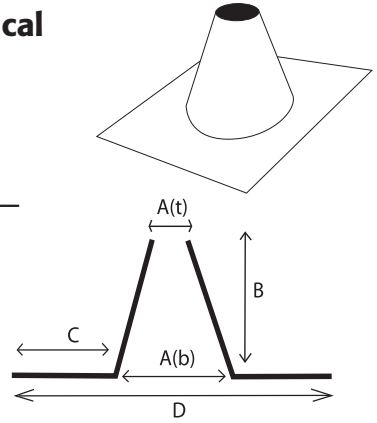
At: Top Diameter \_\_\_\_\_

Ab: Bottom Diameter \_\_\_\_\_

B: Height \_\_\_\_\_

C: Flange \_\_\_\_\_

D: Base \_\_\_\_\_



**FlashWrap™ Square or Rectangular Splits**

Qty: \_\_\_\_\_

A<sub>1</sub>: \_\_\_\_\_

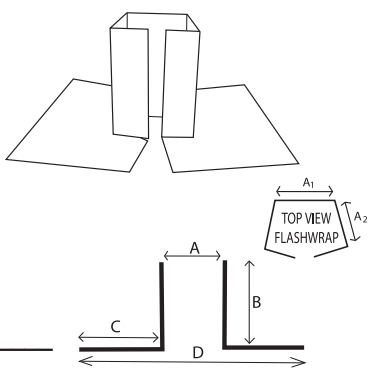
A<sub>2</sub>: \_\_\_\_\_

B: Height \_\_\_\_\_

C: Flange \_\_\_\_\_

D: Base \_\_\_\_\_

E: Angle  90°  Other \_\_\_\_\_



**FlashWrap™ Round Splits**

Qty: \_\_\_\_\_

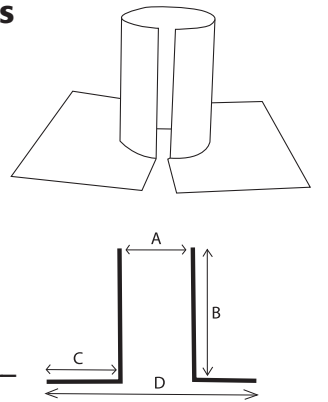
A: Diameter \_\_\_\_\_

B: Height \_\_\_\_\_

C: Flange \_\_\_\_\_

D: Base \_\_\_\_\_

E: Angle  90°  Other \_\_\_\_\_



**Scupper (Lateral Drain)**

Qty: \_\_\_\_\_

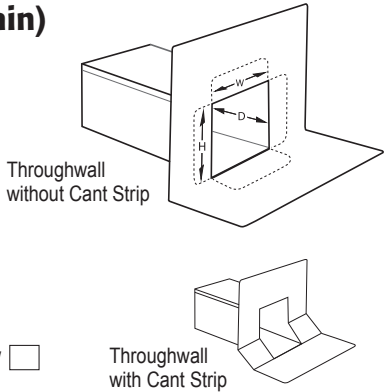
Width (W): \_\_\_\_\_

Height (H): \_\_\_\_\_

Depth (D): \_\_\_\_\_

Cant Strip Yes  No

Throughwall  Overflow



**Pitch Pocket**

Qty: \_\_\_\_\_

Width (W): \_\_\_\_\_

Length (L): \_\_\_\_\_

Height (H): \_\_\_\_\_ (4" std)

Flange (F): \_\_\_\_\_ (6" std)

