

Name: \_\_\_\_\_ Distributor: \_\_\_\_\_

Company: \_\_\_\_\_ Job Name: \_\_\_\_\_

Cellular: \_\_\_\_\_ Job Location: \_\_\_\_\_

Email: \_\_\_\_\_ Job Date: \_\_\_\_\_

### Choose Options:

Type:  TPO  PVC

Color:  White  Tan  Gray

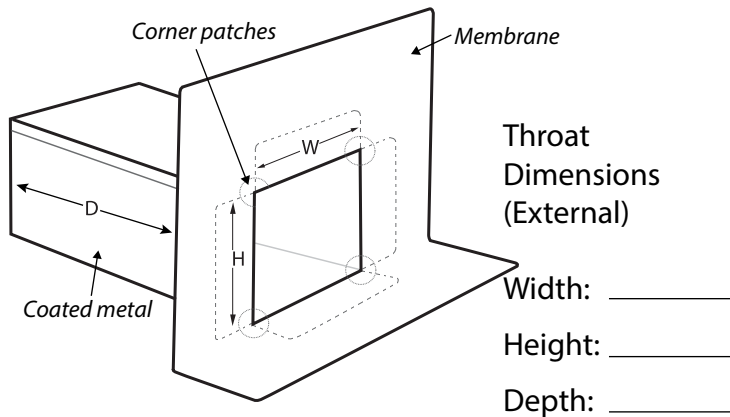
Other: \_\_\_\_\_

*Talk with your FlashCo Representative for special orders & material availability.*

### Notes:

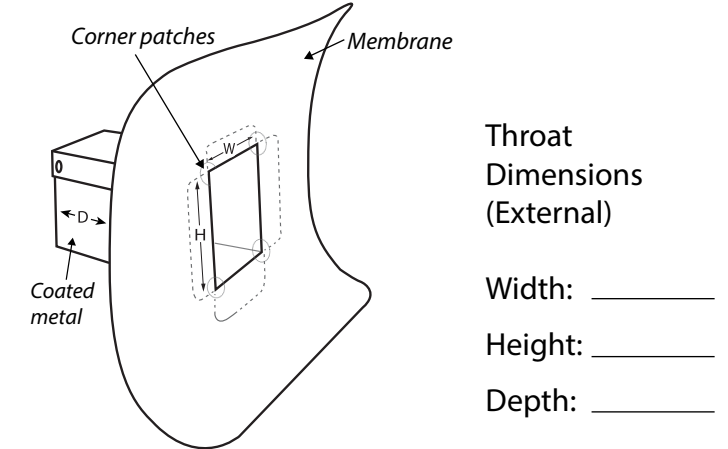
- 6" standard reinforced membrane skirt with 3" of weldable flange beyond the tabs
- Standard 3" metal tabs for fastening to wall and deck
- Throat is coated 24g G90 steel

## Throughwall Scupper (Center)



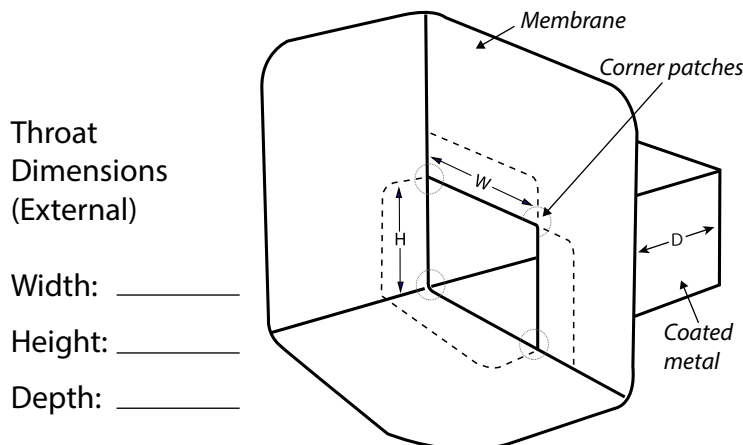
Weldable Memb. Flange (3" std.): \_\_\_\_\_ Qty. \_\_\_\_\_

## Overflow Scupper



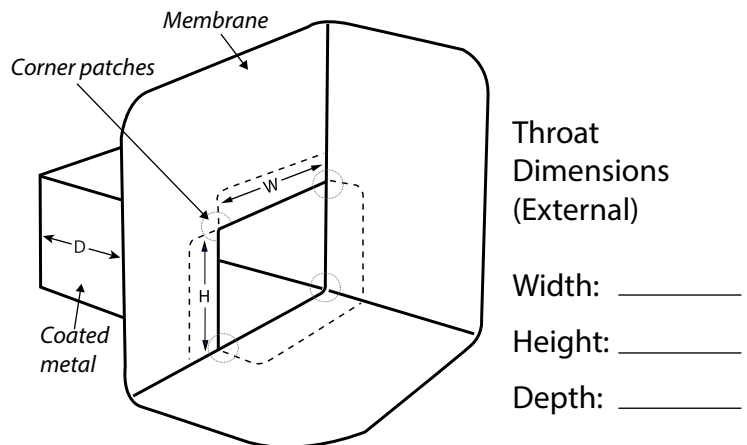
Weldable Memb. Flange (3" std.): \_\_\_\_\_ Qty. \_\_\_\_\_

## Throughwall Scupper (Left Corner)



Qty. \_\_\_\_\_ Weldable Memb. Flange (3" std.): \_\_\_\_\_

## Throughwall Scupper (Right Corner)



Weldable Memb. Flange (3" std.): \_\_\_\_\_ Qty. \_\_\_\_\_