

Name: \_\_\_\_\_ Contractor: \_\_\_\_\_

Company: \_\_\_\_\_ Job Name: \_\_\_\_\_

Cellular: \_\_\_\_\_ Job Location: \_\_\_\_\_

Email: \_\_\_\_\_ Job Date: \_\_\_\_\_

**Choose Options:**

Type:  TPO  PVC

Color:  White  Tan  Gray

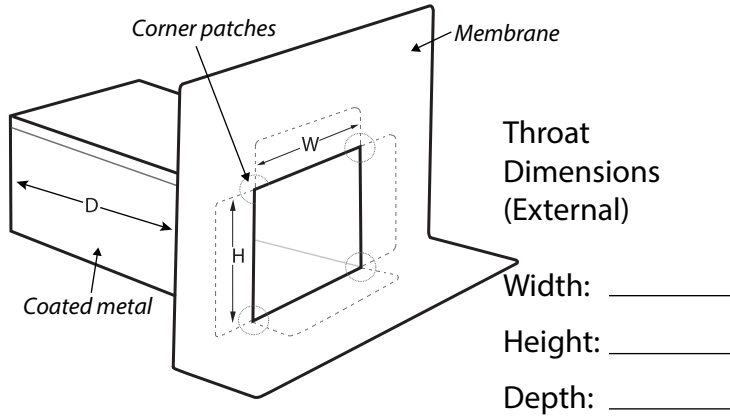
Other: \_\_\_\_\_

*Talk with your FlashCo Representative for special orders & material availability.*

**Notes:**

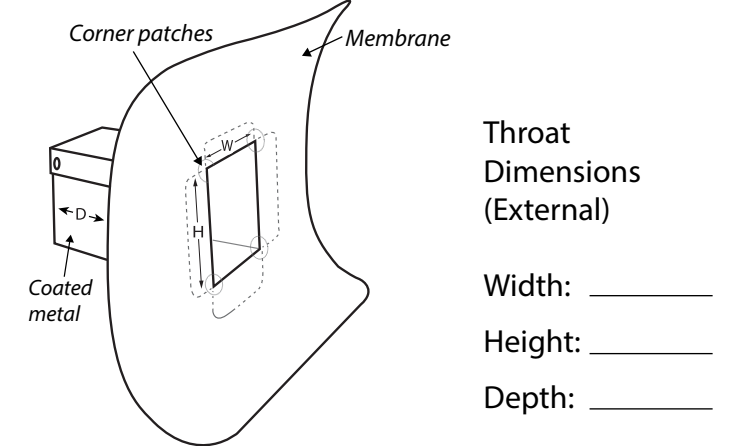
- 6" standard reinforced membrane skirt with 3" of weldable flange beyond the tabs
- Standard 3" metal tabs for fastening to wall and deck
- Throat is coated 24g G90 steel

**Throughwall Scupper (Center)**



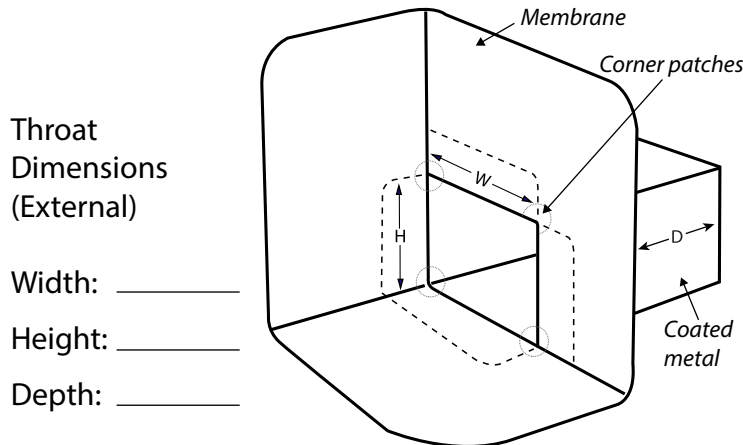
Weldable Memb. Flange (3" std.): \_\_\_\_\_ Qty. \_\_\_\_\_

**Overflow Scupper**



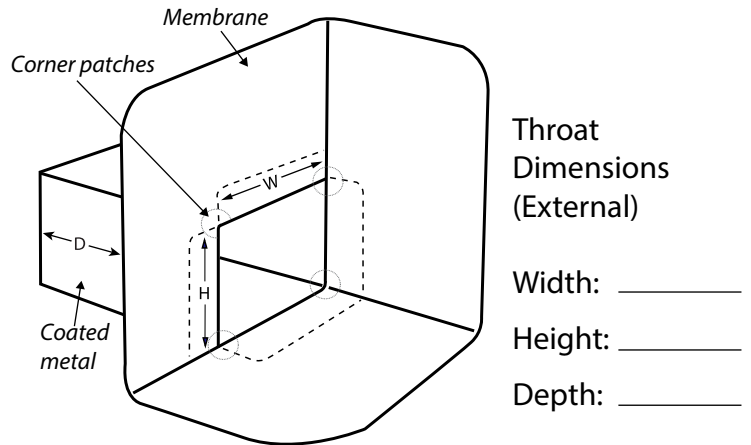
Weldable Memb. Flange (3" std.): \_\_\_\_\_ Qty. \_\_\_\_\_

**Throughwall Scupper (Left Corner)**



Qty. \_\_\_\_\_ Weldable Memb. Flange (3" std.): \_\_\_\_\_

**Throughwall Scupper (Right Corner)**



Weldable Memb. Flange (3" std.): \_\_\_\_\_ Qty. \_\_\_\_\_