

FlashVent™ SQUARE TOP VENT

TPO Low Slope Systems

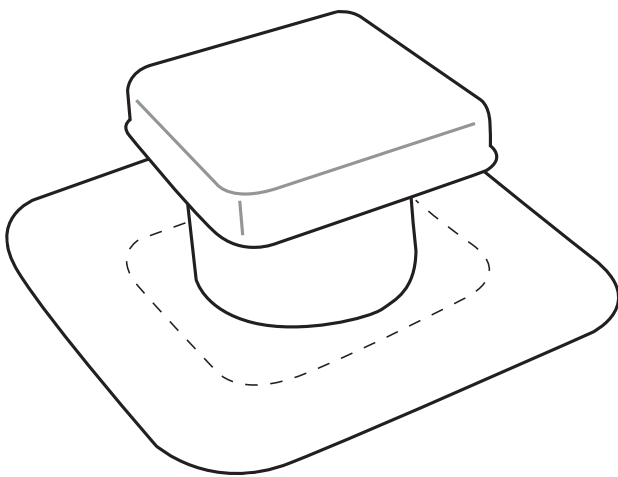
OVERVIEW

FlashCo's FlashVent Square-Top Roof Vents are Factory Certified prefabricated gravity vents. Square-Top FlashVents are constructed with a 60 mil reinforced TPO membrane boot over an 8.25" diameter steel sub base. The sub-base opening is covered with 1/8" screen mesh to help prevent unwanted pest intrusion. The 10"x10" hood is constructed with 26g painted steel.

INSTALLATION

FlashCo's FlashVent Square-Top Vent shall be installed in accordance with the recommendations and specifications of the roofing material manufacturer or architect.

1. Place Square-Top vent over roof opening.
2. Lift membrane flange and fasten sub-base to deck through metal flange.
3. Heat weld membrane flange to deck membrane.
4. Apply cut edge sealant, TPO only (provided by others) around edge of flange.



FEATURES AND BENEFITS

- Prefabricated assembly saves up to 60% of labor
- Better fit and more uniform appearance than field flashing
- Available for NDL and Discretionary Jobs

SAVING THE CONTRACTOR TIME

- FlashCo strives to ship 90% of orders within 1-3 days after purchase orders are placed
- All major membrane manufacturer brands in stock in all five FlashCo plant locations
- Get off the roof sooner
- Reduce installed costs

STANDARD SIZES & SPECIFICATIONS

Description	8" Square-Top
Net Free Air	38 sq. in.
Material	60 mil reinforced TPO
Quantity/Box	6 ea.
Packaging Box Size	24"x24"x20"
Box Weight	21 lbs.
Colors	White, Gray, Tan

